

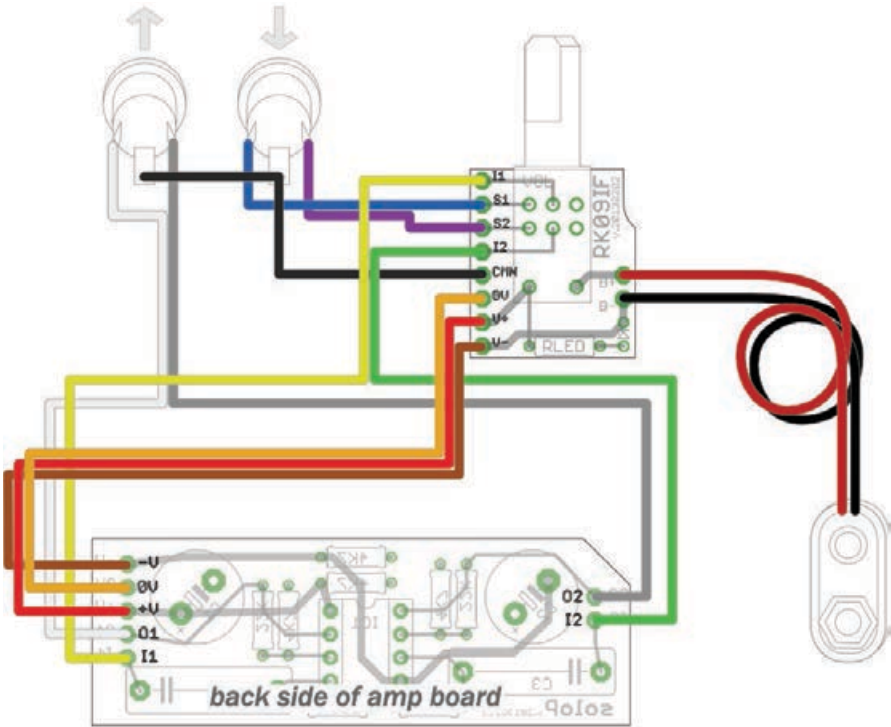
SoloP

Headphone Amp Kit

PARTS LIST

Part	Description	Qty
case	w/battery compartment	1
front panel	3"x1" acrylic	1
volume pot	10K audio w/switch	1
RK09IF	volume interface board	1
knob	soft-touch, D-shaft	1
input & output jacks	3.5mm stereo, panel mount	2
LED	3mm	1
RLED	1K brn-blk-blk-brn-brn	1
SOLOP	main amp board	1
IC1	op amp, OPA2132PA	1
CS	chip socket 8-pin DIP	1
C1, C2	470uF 25V electrolytic	2
C3, C4	0.47uF polypro film	2
R3, R6	100K brn-blk-blk-org-brn	2
R1,R2,R4,R7	4.7K yel-pur-blk-brn-brn	4
R5,R8	22K red-red-blk-red-brn	2
9VSC	9V battery snap clip	1
battery	9V alkaline	1
battery spacer	3/8"x3/8"x3" closed-cell	3"
rainbow ribbon wire	26 gauge 10 conductor	4"

WIRING DIAGRAM



For complete instructions go to www.boxedkitamps.com